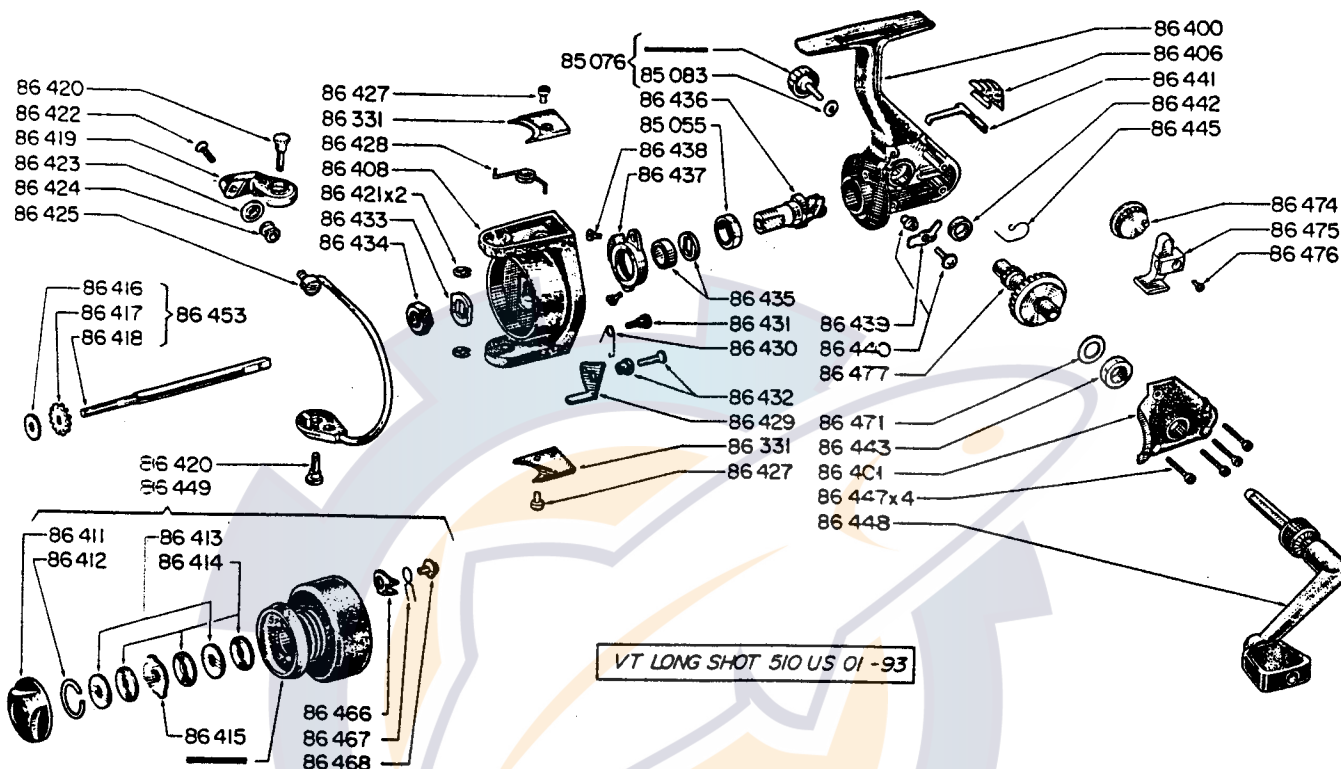


# MITCHELL®

## 510 Long Shot



Part No. Description

Part No. Description

8505500 BALL BEARING  
 8507600 HANDLE CAP SCREW W/ WASHER  
 8508300 CAP SCREW WASHER  
 8633100 COVER PLATE N1  
 8640000 HOUSING  
 8640100 SIDE PLATE  
 8640600 ANTI-REVERSE BUTTON  
 8640800 ROTATING HEAD  
 8641100 DRAG KNOB  
 8641200 DRAG RETAINER  
 8641300 KEYED DRAG WASHER  
 8641400 DRAG WASHER  
 8641500 EARED DRAG WASHER  
 8641600 BASE DRAG WASHER  
 8641700 CLICK GEAR  
 8641800 AXLE  
 8641900 BAIL ARM  
 8642000 BAIL RETAINING PIN  
 8642100 RETAINING PIN CLIP  
 8642200 LINE GUIDE SCREW  
 8642300 LINE GUIDE RACE  
 8642400 LINE GUIDE  
 8642500 BAIL WIRE W/ MOUNT  
 8642700 COVER PLATE SCREW  
 8642800 BAIL SPRING  
 8642900 TRIP LEVER  
 8643000 TRIP LEVER SPRING

8643100 TRIP LEVER SPRING PIN  
 8643200 TRIP LEVER SCREW W/ BUSHING  
 8643300 KEYED WASHER  
 8643400 ROTATING HEAD NUT  
 8643500 KEYED SPACER WASHER  
 8643600 PINION GEAR W/ RATCHET  
 8643700 BEARING RETAINER  
 8643800 BEARING RETAINER SCREW  
 8643900 ANTI-REVERSE DOG  
 8644000 AR DOG SCREW W/ BUSHING  
 8644100 ANTI-REVERSE LEVER  
 8644200 HOUSING BUSHING  
 8644300 SIDE PLATE BUSHING  
 8644500 ANTI-REVERSE FRICTION SPRING  
 8644700 SIDE PLATE SCREW  
 8644800 HANDLE  
 8644900 SPOOL  
 8645300 AXLE W/ CLICK GEAR  
 8646600 SPOOL CLICK  
 8646700 SPOOL CLICK SPRING  
 8646800 SPOOL CLICK SCREW  
 8647100 SHIM - DRIVE GEAR  
 8647400 CROSS WIND GEAR  
 8647500 OSCILLATION SLIDE  
 8647600 OSCILLATION SLIDE SCREW  
 8647700 DRIVE GEAR